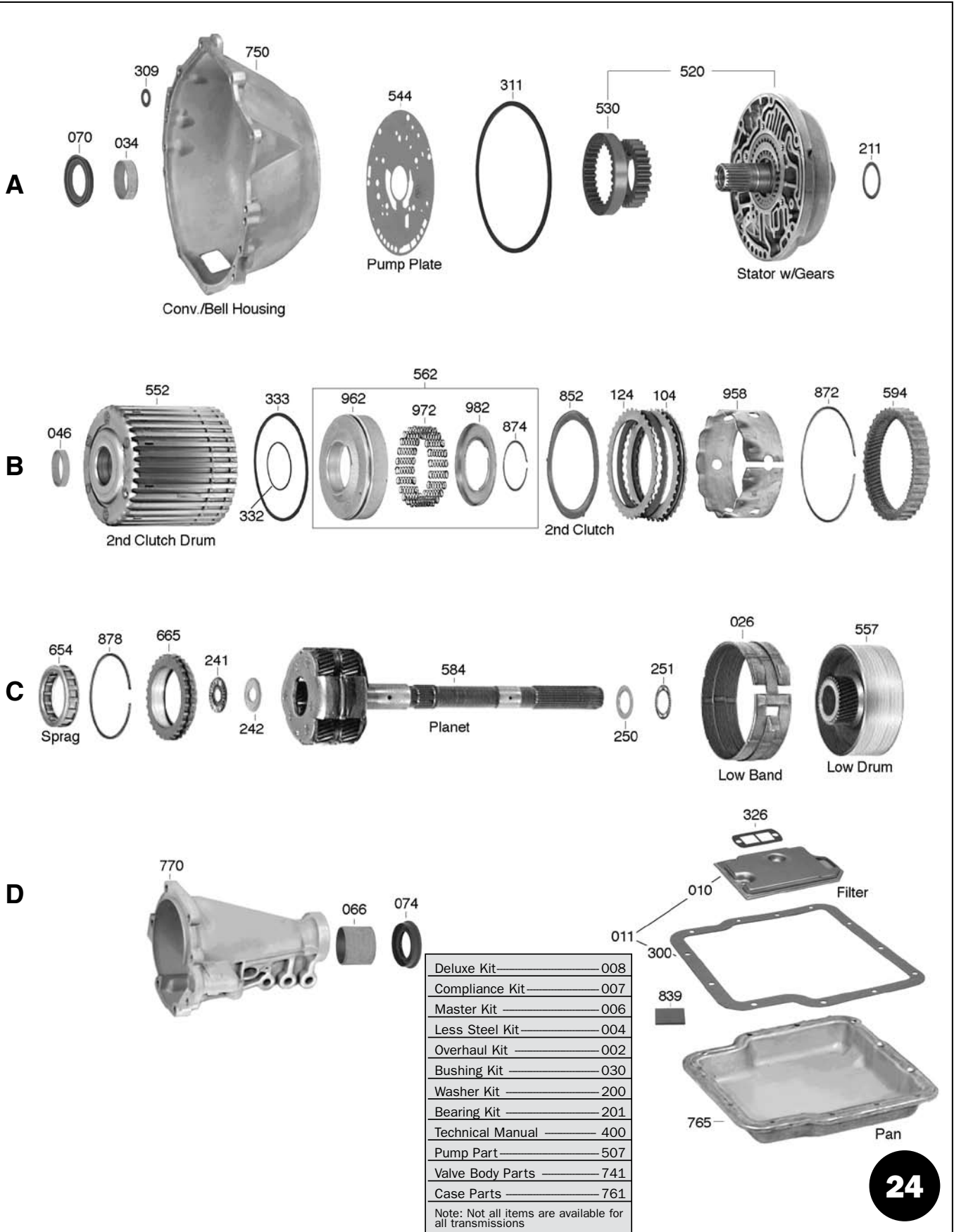
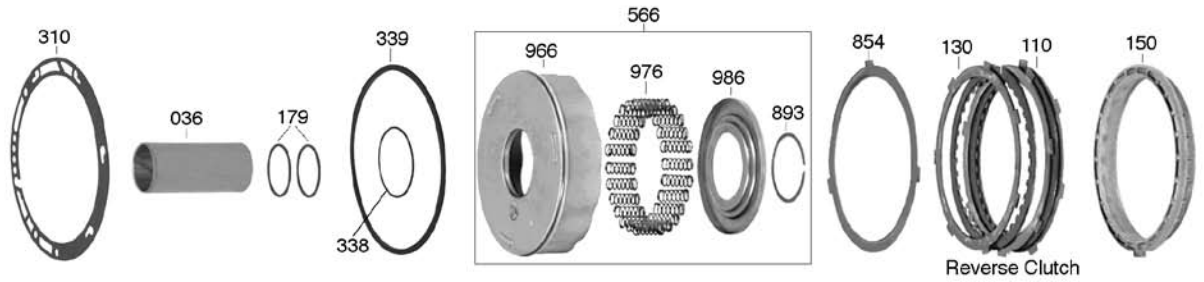
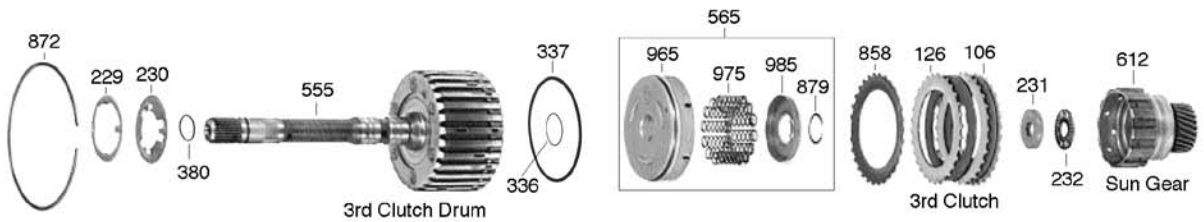


180, 180C

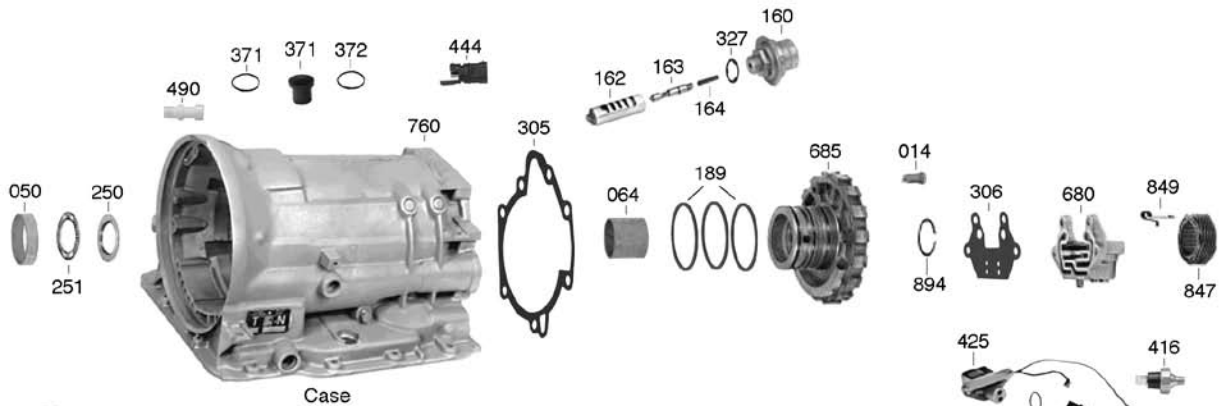




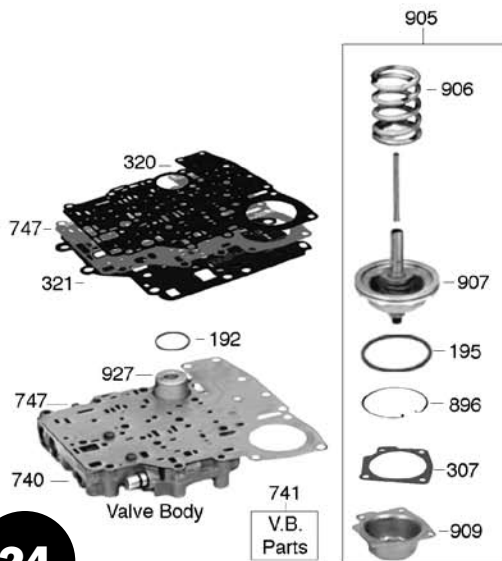
E



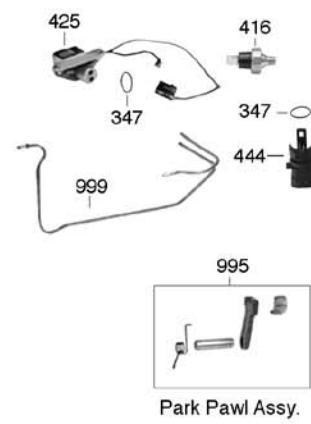
F



G



24



H

