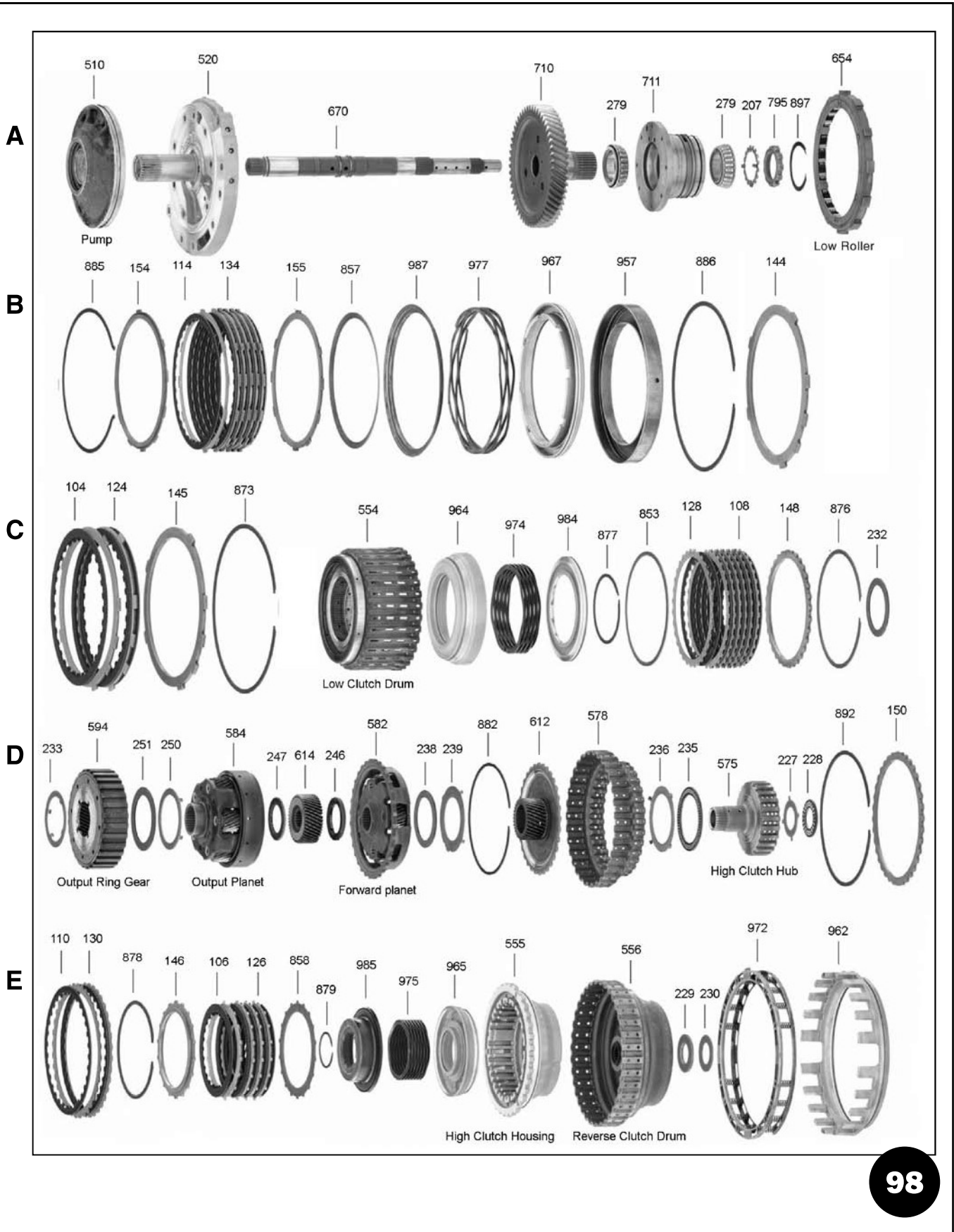


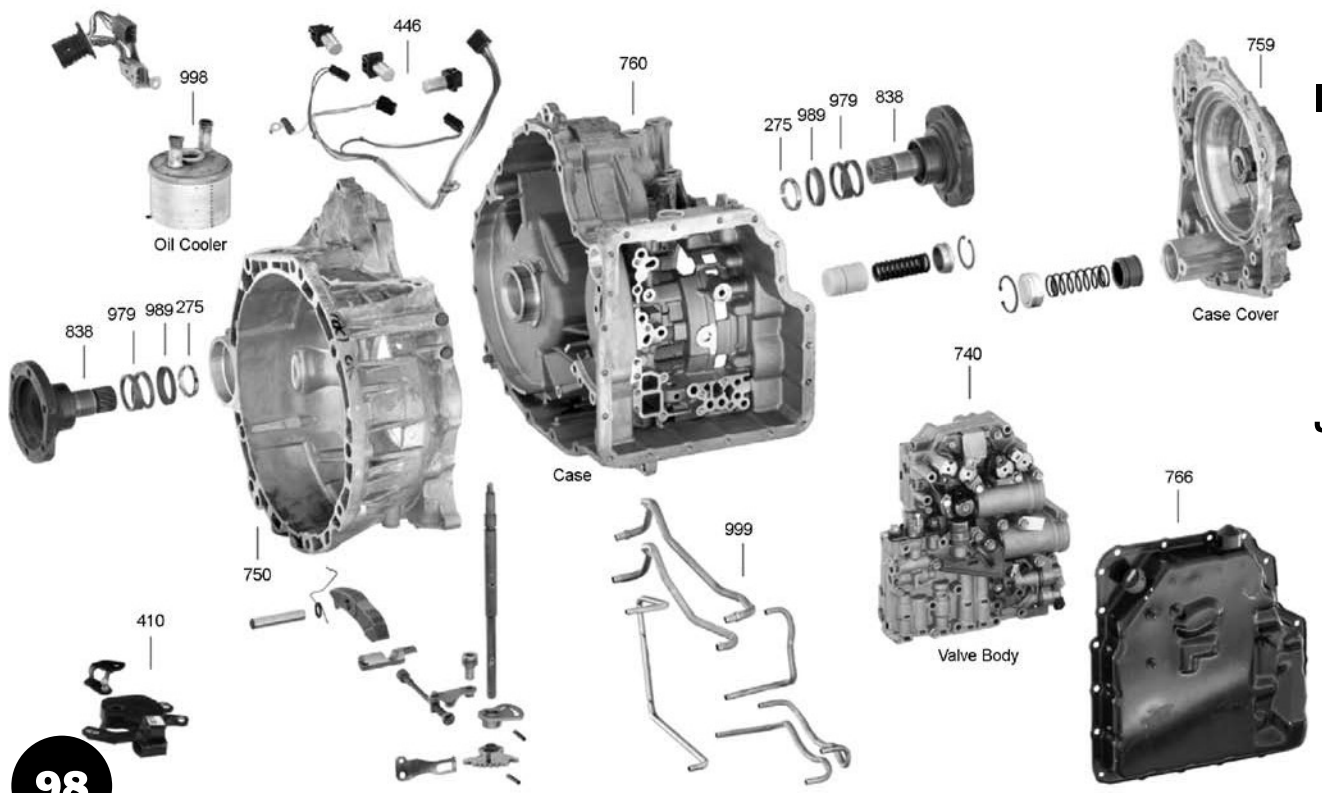
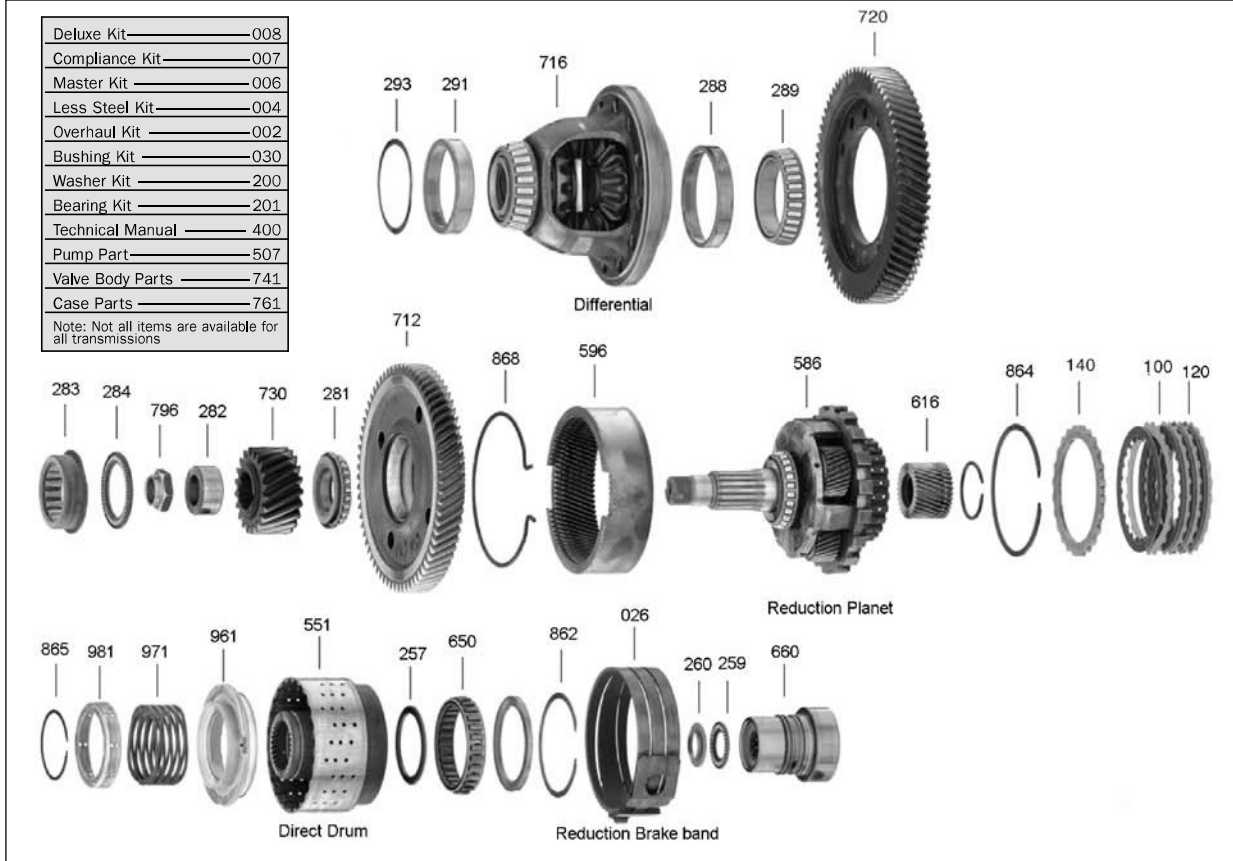
JF506E (RE5F01A) FWD 5 SPEED

JAGUAR, MAZDA ROVER, VW



Deluxe Kit	008
Compliance Kit	007
Master Kit	006
Less Steel Kit	004
Overhaul Kit	002
Bushing Kit	030
Washer Kit	200
Bearing Kit	201
Technical Manual	400
Pump Part	507
Valve Body Parts	741
Case Parts	761

Note: Not all items are available for all transmissions



98

F

G

H

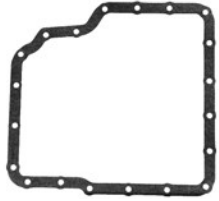
I

J

JF506E

JF506E (RE5F01A) FWD 5 SPEED

JAGUAR, MAZDA ROVER, VW



98301



98010



98010A



98010B



ILL.	DESCRIPTION	QTY.	YEAR	PART NO.	REFERENCE NO.
MASTER OVERHAUL KITS (WITH STEELS)					
006F	Mazda (w/ Bonded Piston Retainers)	1	02-Up	98006A	K9100B
006F	Jaguar, Land Rover (w/ Bonded Piston Retainers)	1	99-Up	98006C	K9100
006F	VW (w/ Bonded Piston Retainers)	1	00-Up	98006B	K9100D
LESS STEEL KITS					
004F	Mazda (w/ Bonded Piston Retainers)	1	02-Up	98004A	K9100B-LS
004F	Jaguar, Land Rover (w/ Bonded Piston Retainers)	1	99-Up	98004C	K9100-LS
004F	VW (w/ Bonded Piston Retainers)	1	00-Up	98004B	K9100D-LS
OVERHAUL KITS (W/ RINGS & SEALS)					
002F	Mazda	1	02-Up	98002A	K91900B
002F	Jaguar, Land Rover	1	99-Up	98002C	K91900
002F	VW	1	00-Up	98002B	K91900D
FILTERS					
010	Round Pickup (Jaguar, Mazda)	1	99-Up	98010	91800
010	Rectangular Pickup (.650") (VW Exc Sharan)	1	00-Up	98010A	91800D
010	Rectangular Pickup (1.300") (Land Rover & VW Sharan)	1	00-Up	98010B	91800E
BANDS					
Prefix Key: B = Borg Warner, A = OEM (Exc. BW), N = All Other New, R = Relined					
026H	Reduction	1	99-Up	98026	91700
BUSHINGS					
030F	Bushing Kit	1	99-Up	98030	K91901
034A	Pump	1	99-Up	83034A	82001A
METAL CLAD SEALS					
070A	Pump	1	02-Up	98070	91200
076I	Bell & Case (Mazda)	2	02-Up	98076	91201C
076I	Bell & Case (VW)	2	00-Up	98076A	91201E
076I	Bell & Case (Jaguar, Landrover 2wd)	2	99-Up	98076B	N/A
076I	Axle (Right Side) (Awd)	1	99-Up	98076C	N/A
077I	Axle (Left Side) (Awd)	1	99-Up	98077	N/A
FRICTION PLATES					
100G	Direct	4	99-Up	98100	91110
104C	2-4	3	99-Up	98104	91106
106E	High	5	99-Up	83106BA	82103D
108C	Low	7	99-Up	23108	77104F
110E	Reverse	2	99-Up	98110	91102
114B	Low/ Reverse	6	99-Up	83114BA	82106B

ILL.	DESCRIPTION	QTY.	YEAR	PART NO.	REFERENCE NO.
STEEL PLATES					
120G	Direct.....	4	99-Up	98120	91111
124C	2-4 (3.0mm).....	2	99-Up	98124	91107
126E	High (.063").....	1	99-Up	98126A	91101
126E	High (.094").....	4	99-Up	98126	91101A
128C	Low.....	7	99-Up	98128	91105
130E	Reverse.....	2	99-Up	98130	91103
134B	Low/ Reverse.....	5	99-Up	98134	91109
GASKETS & O-RINGS					
301J	Gasket, Side Pan.....	1	99-Up	98301	13290F
TECHNICAL MANUALS					
400F	Tech Manual.....	1	99-Up	98400	91Y01
400F	Tech Manual (Update) (Green Book).....	1	99-Up	98400C	N/A
400F	Tech Manual, ATRA Jatco/Nissan 5 Speed Rebuild Procedures.....	1	99-Up	98400A	N/A
ELECTRICAL COMPONENTS					
420	Solenoid Group (VW, Landrover, Jaguar).....	1	99-Up	98420	31A-550
421	Solenoid, Shift "A" (VW, Landrover, Jaguar).....	1	99-Up	98421A	N/A
422	Solenoid, Shift "B" (VW, Landrover, Jaguar).....	1	99-Up	98422A	N/A
423	Solenoid, Shift "C" (VW, Landrover, Jaguar).....	1	99-Up	98423A	N/A
425	Solenoid, TCC (VW, Landrover, Jaguar).....	1	99-Up	98425A	N/A
428	Solenoid, 2-4 Brake Duty (Oil Pressure) (VW, Landrover, Jaguar).....	2	99-Up	98428A	N/A
431	Solenoid, EPC (Main Pressure) (VW, Landrover, Jaguar).....	1	99-Up	98431A	5A-550
432	Solenoid, 2-4 Brake Timing (VW, Landrover, Jaguar).....	1	99-Up	98432A	N/A
432	Solenoid, Reduction Timing (VW, Landrover, Jaguar).....	1	99-Up	98432B	N/A
432	Solenoid, Shift Low Timing (VW, Landrover, Jaguar).....	1	99-Up	98432C	N/A
436	Sensor, Turbine, Input & Output (VW, Landrover, Jaguar).....	3	99-Up	98436	20A-550
420	Solenoid Group (Mazda).....	1	02-Up	98420A	31A-550A
421	Solenoid, Shift "A" (Mazda).....	1	02-Up	98421B	N/A
422	Solenoid, Shift "B" (Mazda).....	1	02-Up	98422A	N/A
423	Solenoid, Shift "C" (Mazda).....	1	02-Up	98423B	N/A
425	Solenoid, TCC (Mazda).....	1	02-Up	98425B	N/A
430	Solenoid, Neutral Shift Control (Mazda).....	1	02-Up	98430	N/A
430	Solenoid, 2-4 Shift Duty & Duty High Clutch Control (Mazda).....	2	02-Up	98430A	N/A
431	Solenoid, EPC (Main Pressure) (Mazda).....	1	02-Up	98431A	5A-550
432	Solenoid, Reduction Timing (Mazda).....	1	02-Up	98432D	N/A
436	Sensor, Turbine, Input & Output (Mazda).....	3	02-Up	98436	20A-550
MISCELLANEOUS COMPONENTS					
500A	Pump Assembly.....	1	99-Up	98500	91920E
650H	Sprag, Reduction.....	1	99-Up	98650	91930
654A	Low Roller Clutch.....	1	99-Up	98654	91960
740J	Valve Body (Premium) Mazda.....	1	02-Up	98740-1	P91990B
740J	Valve Body (Premium) VW.....	1	00-Up	98740-2	P91990D
740J	Valve Body (Premium) Landrover, Jaguar.....	1	99-Up	98740-3	P91990
740J	Control Plunger w/ Sleeve (TCC).....	1	99-Up	98741Q	K91886
965E	Piston, High Clutch.....	1	99-Up	98961A	91927
965E	Retainer, High Clutch (Bonded).....	1	99-Up	98961	91530
966	Piston, Reverse Clutch.....	1	99-Up	98966B	91924
966	Piston Kit, Reverse & High Clutch.....	1	99-Up	98966AK	N/A